

Vibratory surface treatment machines

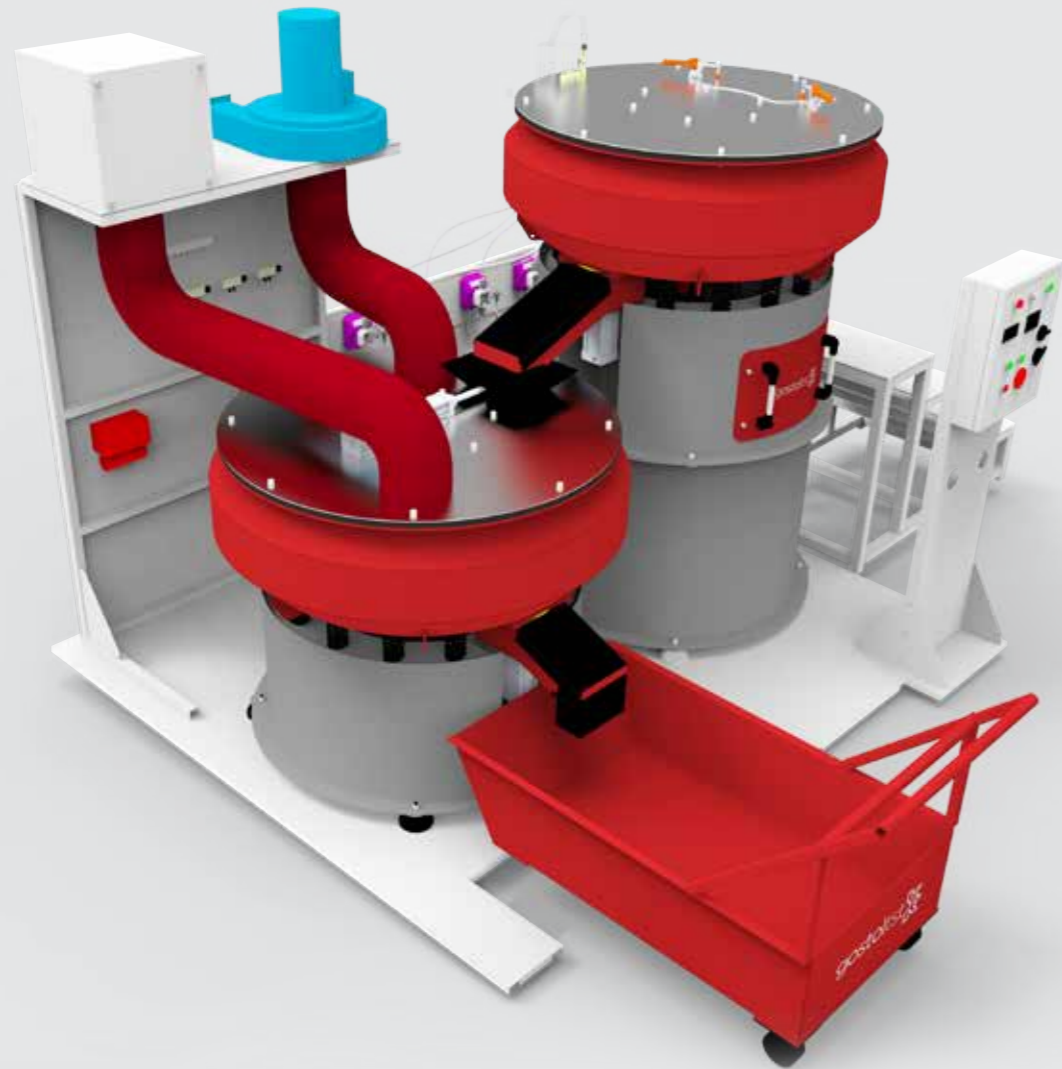


www.gostol-tst.eu

gostol**tst** 

Gostol TST d.d.
Čiginj 63
5220 Tolmin
Slovenia
tel.: 00386 5 380 12 80
fax: 00386 5 380 12 90
e-mail: info@gostol-tst.eu
<http://www.gostol-tst.eu>

Vibratory surface treatment machines



Vibratory machines

- Vibratory surface finishing machines without separator
- Vibratory surface finishing machines with separator
- Linear vibratory surface finishing machines
- Vibratory dryer machine
- Centrifugal surface finishing machines
- Centrifugal barrel surface finishing machines
- Centrifugal dryer and degreasing machines
- Vibratory separators
- Aluminum wheel polishing machines

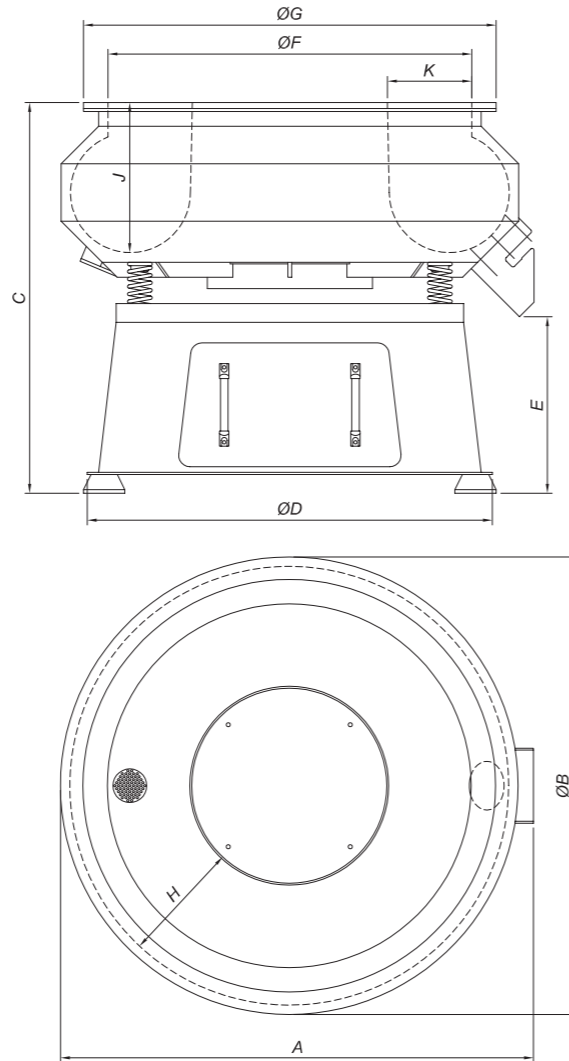
Chips, grains and compounds

- Ceramic grinding chips
- Plastic grinding chips
- Porcelain polishing chips
- Drying grains
- Polishing grains
- Surface finishing compounds

Vibratory surface finishing machines without separator



VO type

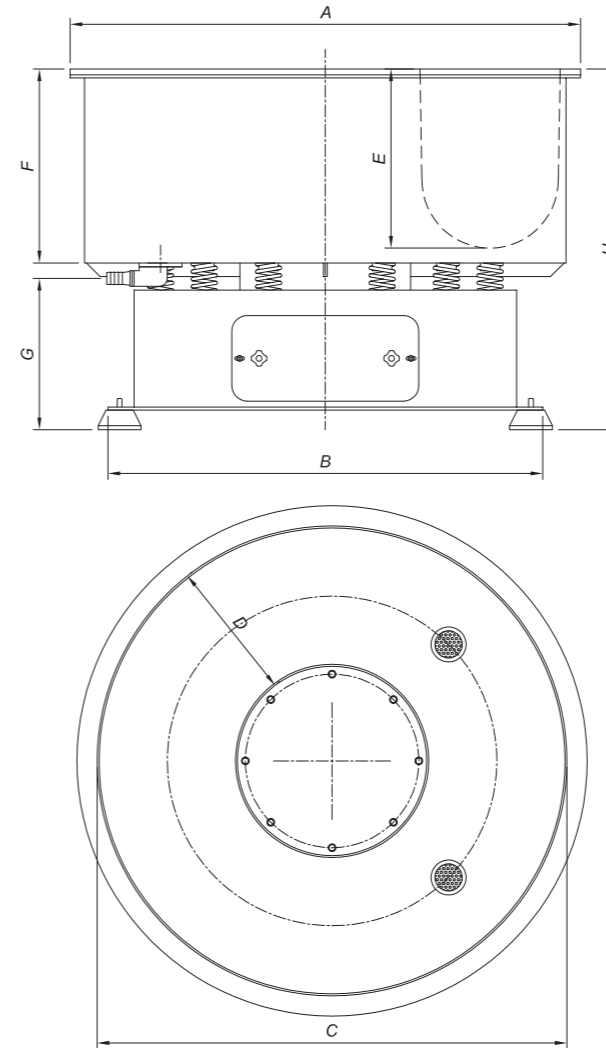


► technical specifications

TYPE	gross volume lt	PU thickness mm	engine power kW	voltage 3 phase	operating speed rpm	weight kg
VO 75	75	15-20	0.75	380/50	1500	155
VO 150	150	15-25	1.1	380/50	1500	315
VO 250	275	15-25	1.5	380/50	1500	550
VO 350	350	15-25	2.2	380/50	1500	610
VO 500	500	15-25	3.0	380/50	1500	680
VO 650	690	20-30	5.5	380/50	1500	1300
VO 1000	1075	20-30	7.5	380/50	1500	1800
VO 1300	1335	20-30	11.0	380/50	1500	2010

TYPE	A	B	C	D	E	F	G	H	J	K
VO 75	765	740	830	680	470	600	700	230	270	200
VO 150	1035	1000	900	770	470	800	930	240	340	170
VO 250	1260	1220	1040	1120	470	970	1100	320	400	230
VO 350	1360	1320	1050	1180	470	1090	1250	370	410	285
VO 500	1470	1440	1135	1280	500	1130	1270	420	470	310
VO 650	1650	1620	1180	1400	500	1300	1430	470	530	330
VO 1000	2000	2000	1440	1700	620	1590	1740	530	600	400
VO 1300	2140	2140	1500	1750	620	1700	1760	585	620	460

All dimensions are millimeters.



VU type

► technical specifications

TYPE	gross volume lt	PU thickness mm	engine power kW	voltage 3 phase	operating speed rpm	weight kg
VU25	25	15-20	0.37	380/50	1500	105
VU50	50	15-20	0.55	380/50	1500	138
VU100	100	15-20	0.75	380/50	1500	218
VU200	200	15-20	1.1	380/50	1500	345
VU400	400	15-20	2.2	380/50	1500	605
VU600	600	15-20	3.0	380/50	1500	810
VU800	800	15-20	5.5	380/50	1500	1030
VU1000	1000	15-20	5.5	380/50	1500	1215
VU1200	1200	15-20	7.5	380/50	1500	1375

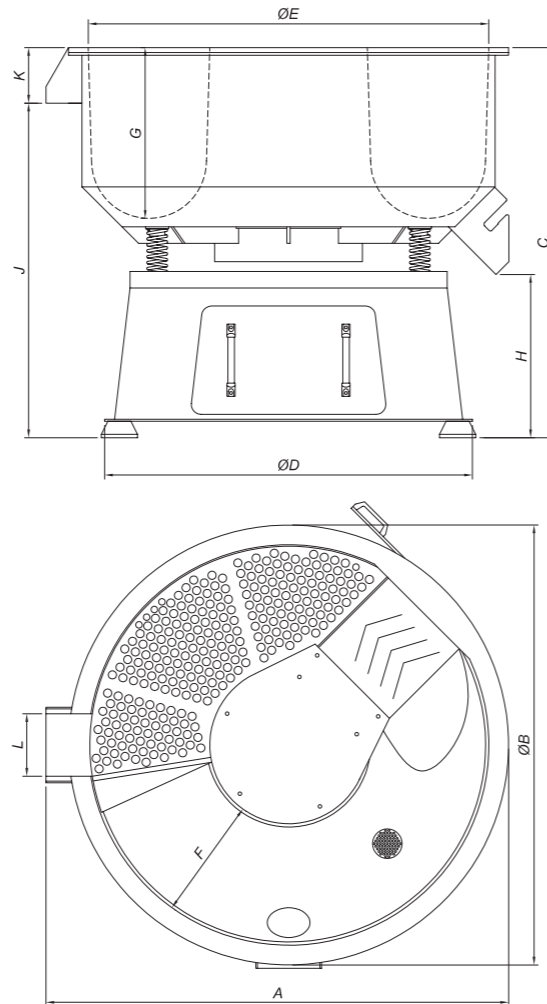
TYPE	A	B	C	D	E	F	G	H
VU25	625	550	530	180	150	175	325	550
VU50	700	590	610	210	215	250	325	615
VU100	820	660	730	250	300	335	360	735
VU200	1060	860	955	280	375	410	360	810
VU400	1310	1120	1205	360	460	500	390	925
VU600	1530	1290	1410	410	520	560	405	1000
VU800	1680	1390	1560	460	570	610	455	1100
VU1000	1760	1420	1620	490	630	670	455	1175
VU1200	1890	1500	1760	550	650	690	455	1200

All dimensions are millimeters.

Vibratory surface finishing machines with separator



VUS type



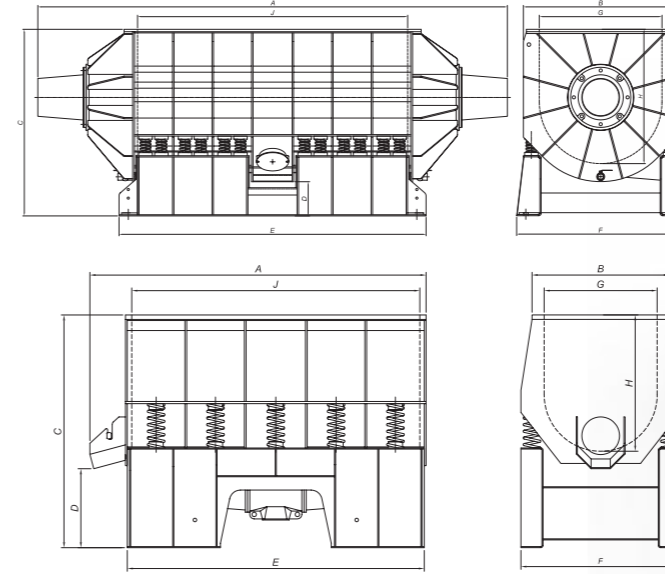
technical specifications

TYPE	gross volume lt	separator surface area m ²	PU thickness mm	engine power kW	voltage 3 phase	operating speed rpm	weight kg
VUS 75	80	0.14	15-25	0.75	380/50	1500	185
VUS 150	175	0.21	15-25	1.1	380/50	1500	290
VUS 300	330	0.32	15-25	1.5	380/50	1500	430
VUS 400	460	0.39	15-25	2.2	380/50	1500	560
VUS 500	545	0.48	15-25	3.0	380/50	1500	720
VUS 750	865	0.73	20-30	5.5	380/50	1500	1350
VUS 1200	1210	0.98	20-30	7.5	380/50	1500	1840
VUS 1600	1610	1.08	20-30	11.0	380/50	1500	2040

TYPE	A	B	C	D	E	F	G	H	J	K	L
VUS 75	825	775	700	660	690	230	270	405	620	80	180
VUS 150	1070	1010	960	940	910	280	400	470	810	150	240
VUS 300	1310	1240	1100	1060	1120	320	460	490	930	170	250
VUS 400	1410	1340	1190	1120	1220	370	520	490	1020	170	300
VUS 500	1510	1430	1190	1140	1320	400	540	470	1020	170	340
VUS 750	1760	1700	1330	1400	1560	450	630	530	1150	180	400
VUS 1200	1970	1910	1480	1660	1760	550	650	630	1300	180	500
VUS 1600	2240	2170	1560	1750	2010	610	675	630	1380	180	540

All dimensions are millimeters.

Linear vibratory surface finishing machines



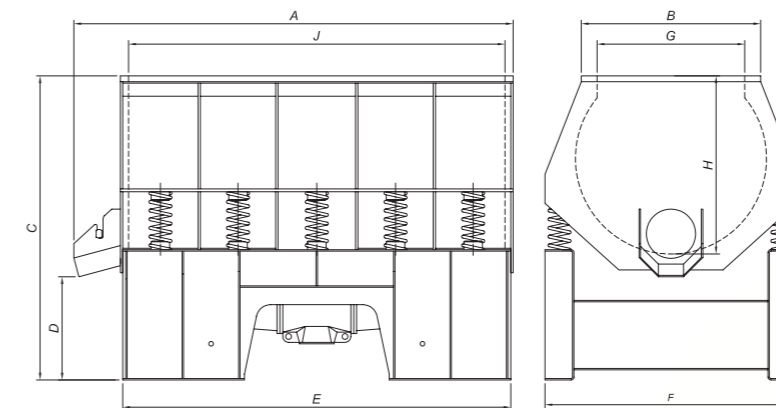
VL type

technical specifications

TYPE	gross volume lt	PU thickness mm	engine power kW	voltage 3 phase	operating speed rpm	weight kg
VL 15	15	15-20	0.37	380/50	1500	65
VL 50	50	15-20	0.55	380/50	1500	150
VL 100	100	15-20	1.1	380/50	1500	300
VL 200	200	15-20	1.5	380/50	1500	510
VL 300	300	15-20	2.2	380/50	1500	710
VL 500	500	20-25	5.5	380/50	1500	1060
VL 800	800	20-25	2x3	380/50	1500	1400
VL 1000	1000	20-25	2x5.5	380/50	1500	2120
VL 1600	1600	25-30	2x7.5	380/50	1500	2690
VL 2200	2200	25-30	2x7.5	380/50	1500	3250

TYPE	A	B	C	D	E	F	G	H	J
VL 15	690	290	570	300	540	370	180	200	500
VL 50	910	370	700	300	760	450	260	300	720
VL 100	1090	440	780	300	940	520	320	380	900
VL 200	1300	520	895	300	1140	600	400	500	1100
VL 300	1550	580	970	320	1400	680	440	550	1340
VL 500	1720	740	1050	320	1560	820	600	620	1500
VL 800	3030	860	1250	300	1900	940	700	800	1600
VL 1000	3370	970	1300	300	2030	1080	750	850	1800
VL 1600	3700	1140	1400	300	2300	1250	880	1000	2000
VL 2200	3820	1260	1520	300	2500	1370	1000	1100	2200

All dimensions are millimeters.



VLO type

technical specifications

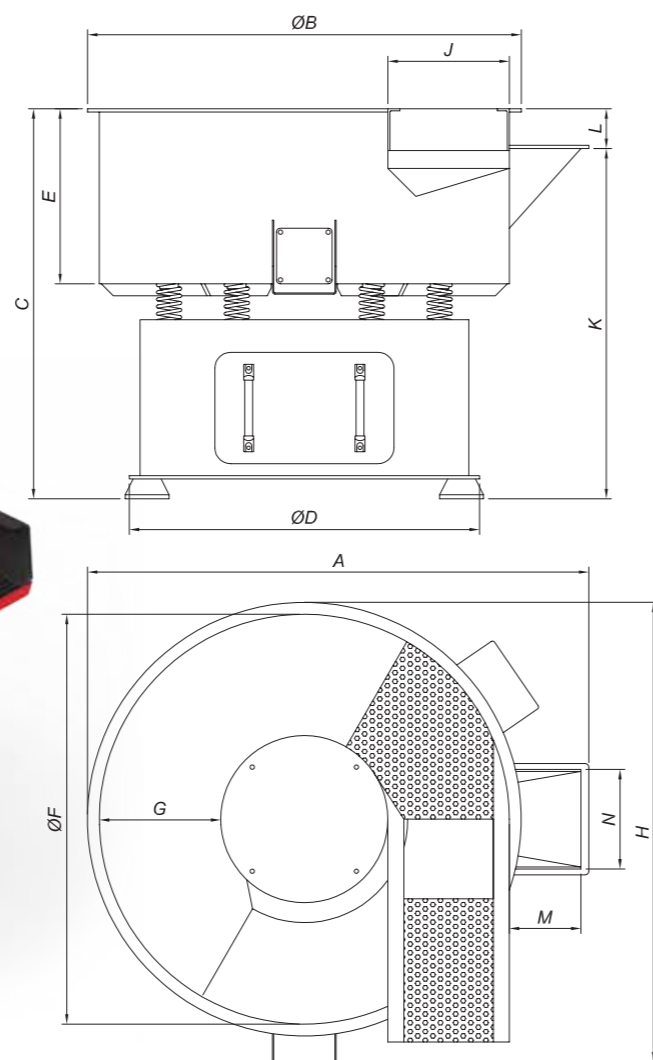
TYPE	gross volume lt	PU thickness mm	engine power kW	voltage 3 phase	operating speed rpm	weight kg
VLO 450	450	15-25	3.0	380/50	1500	560

TYPE	A	B	C	D	E	F	G	H	J
VLO 450	1520	620	1050	360	1340	870	510	620	1300

Gostol TST reserves the right for changing the colors and technical values of the machines.

Vibratory dryer machine

VS type



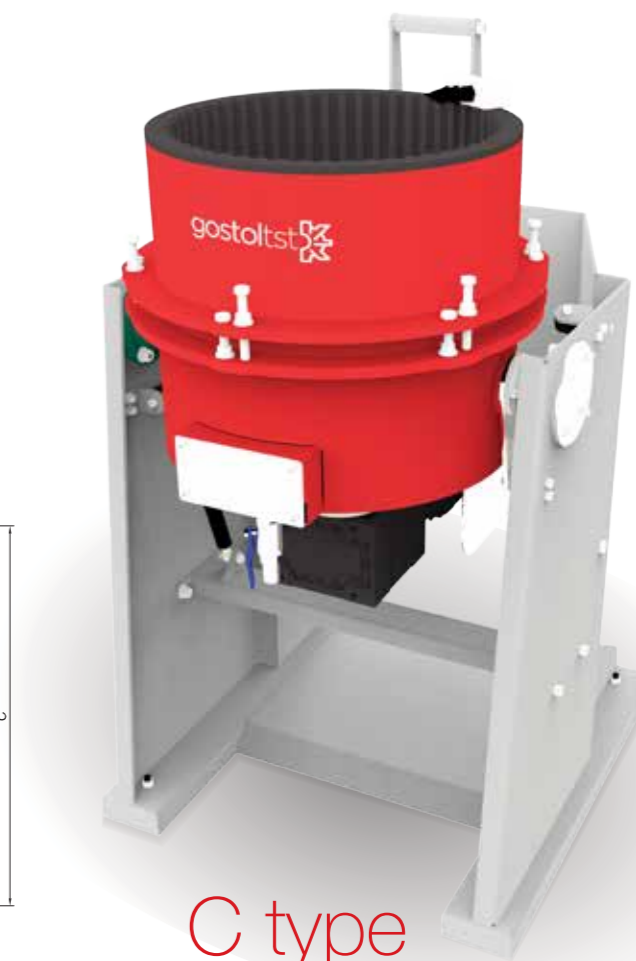
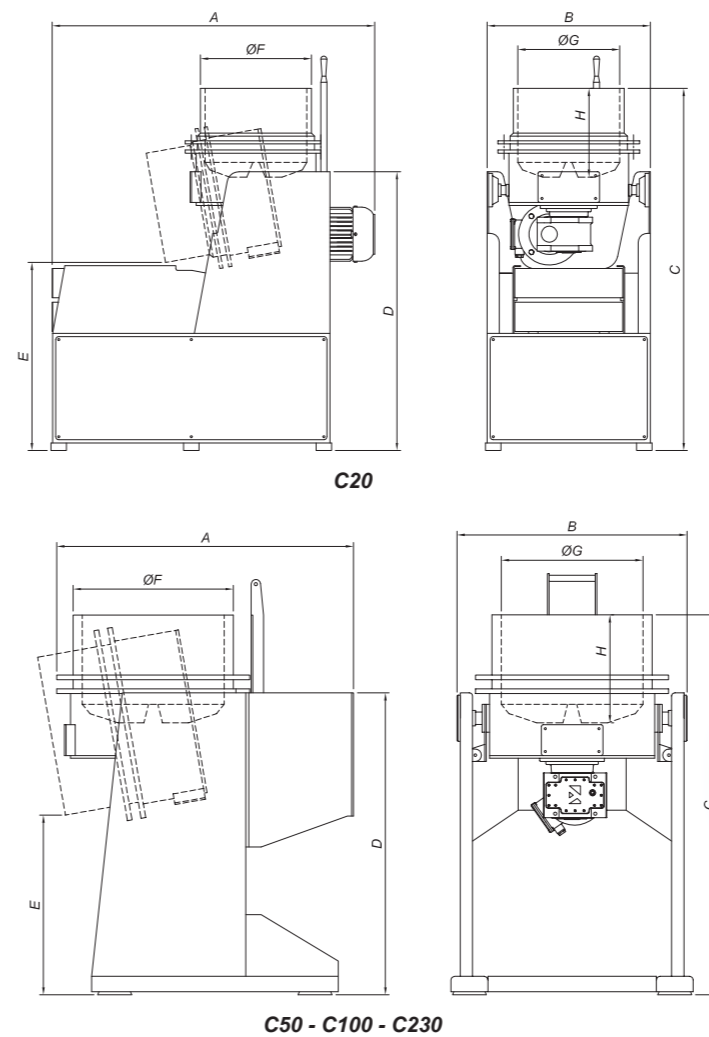
technical specifications

TYPE	gross volume lt	heater power W	engine power kW	voltage 3 phase	operating speed rpm	weight kg
VS 100	100	2000	1.1	380/50	1500	300
VS 200	200	3000	1.5	380/50	1500	410
VS 400	400	3000	3.0	380/50	1500	630
VS 600	600	4000	5.5	380/50	1500	860

TYPE	A	B	C	D	E	F	G	H	J	K	L	M	N
VS 100	1030	880	930	780	430	800	300	950	250	830	100	180	220
VS 200	1260	1090	980	880	440	1030	305	1150	300	880	100	180	250
VS 400	1340	1180	1170	980	630	1100	350	1240	350	1020	150	180	300
VS 600	1620	1480	1250	1280	650	1400	450	1540	440	1050	200	180	360

All dimensions are millimeters.

Centrifugal surface finishing machines



C type

technical specifications

TYPE	gross volume lt	engine power kW	voltage 3 phase	operating speed rpm	weight kg
C 20	20	0.75	380/50	0-240	160
C 50	50	1.5	380/50	0-210	300
C 100	100	3.0	380/50	0-190	520
C 230	230	7.5	380/50	0-190	1100

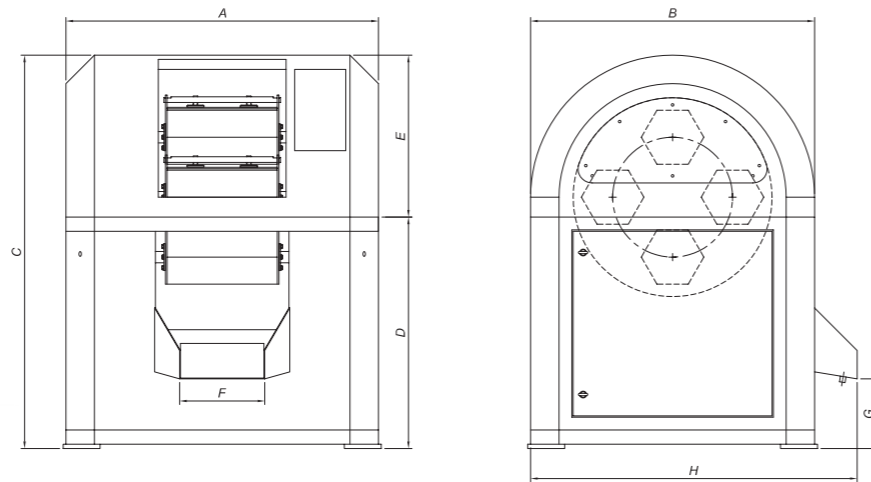
TYPE	A	B	C	D	E	F	G	H
C 20	1045	530	1175	900	610	360	330	290
C 50	965	750	1235	980	585	520	460	350
C100	1035	990	1385	1085	580	600	560	420
C 230	1340	1320	1600	1370		860	800	480

Gostol TST reserves the right for changing the colors and technical values of the machines.

Centrifugal barrel surface finishing machines



CB type



technical specifications

TYPE	gross volume lt	engine power kW	voltage 3 phase	operating speed rpm	weight kg
CB 18	4.5x4	1.5	380/50	0-210	240
CB 30	7.5x4	2.75	380/50	0-210	410

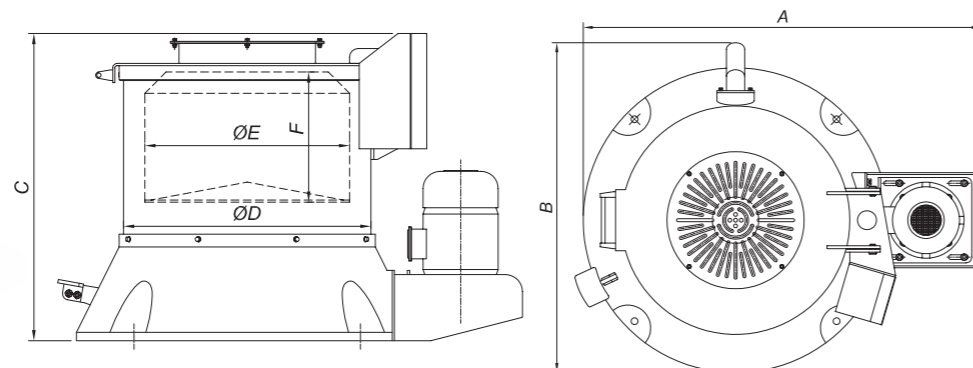
TYPE	A	B	C	D	E	F	G	H
CB 18	770	900	1350	735	615	-	-	1000
CB 30	1100	1000	1420	850	570	300	280	1150

All dimensions are millimeters.

Centrifugal dryer and degreasing machines



CS/CR type



technical specifications

TYPE	Gross Volume lt	Engine Power kW	Voltage 3 phase	Operating Speed rpm	Heater Power W	Weight kg
CS 50	48	1.5	380/50	620	2000	240
CR 50	48	1.5	380/50	620	-	235

TYPE	A	B	C	D	E	F
CS 50	1050	870	720	580	480	305
CR 50	1050	870	720	580	480	305

Gostol TST reserves the right for changing the colors and technical values of the machines.

Vibratory separators



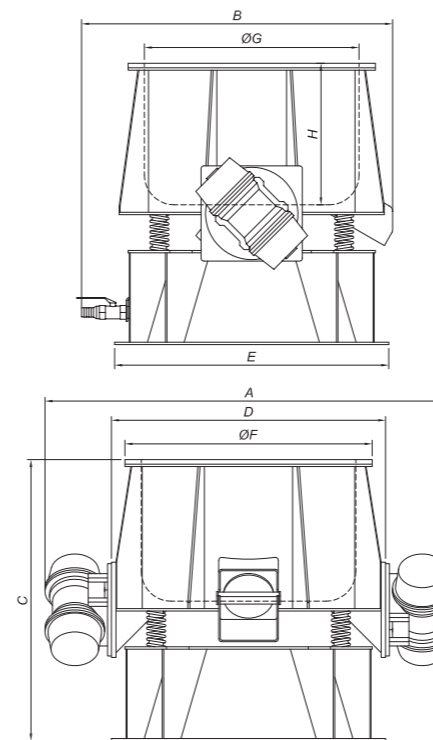
S type

technical specifications

TYPE	capacity lt	outside dimension mm	inside dimension mm	weight kg
S 35	35	440x650x1240	350x730	100
S 50	50	700x670x1850	500x850	150

All dimensions are millimeters.

Aluminum wheel polishing machines



PP type

technical specifications

TYPE	gross volume lt	net volume lt	PU thickness mm	engine power kW	voltage 3 phase	operating speed rpm	weight kg
PP 140	188	140	15-25	2x0.75	380/50	1500	300

TYPE	A	B	C	D	E	F	G	H
PP 140	1366	1050	950	920	920	830	720	475

Gostol TST reserves the right for changing the colors and technical values of the machines.

Ceramic grinding chips

TRIANGLE		OBLIQUE TRIANGLE		STAR	OBLIQUE STAR	FOUR STAR
GSTG		GSOG		GSSG	GSOSG	GSFSG
technical drawings						
dimensions						
4x4 6x6 10x10 13x13	16x16 20x20 25x15	25x25 30x30 40x40	10x10 13x13 16x12 16x16	20x20 25x25 30x30	10x10 13x13 25x25 30x30	22x12

PYRAMID	PARABOLA	OBLIQUE CYLINDER	OBLIQUE CYLINDER	ELLIPSE	BALL
GSTET	GSPA	GSOCG	GSOCG	GSEG	GSBG
technical drawings					
dimensions					
30x30	30x17 50x28	30x15 30x30 40x40	8x20 15x40	20x10x20	6mm 8mm 10mm 20mm

Plastic grinding chips

CONE	Technical Drawings
GS PL	
dimensions	
12x12 19x19 25x25 30x30	35x35 40x40 50x50

TRIANGLE	Technical Drawings
GSTET PL	
dimensions	
	25x25 35x35 45x45

Porcelain polishing chips

TRIANGLE	OBLIQUE TRIANGLE	CYLINDER	OBLIQUE CYLINDER	ELLIPSE	BALL	SUPER BALL	SUPER OBLIQUE CYLINDER		
GSTP	GSOTP	GSCP	GSOCP	GSEP	GSBP	GSBPS	GSOCPS		
technical drawings									
dimensions									
4x4 6x6 10x10	4x4 6x6 10x10	3x10 4x10 4x15 6x10	6x15 8x10 10x10 10x15	3x10 4x10 4x15 6x10 6x15	7x15 8x10 8x15 10x15	10x5x10 20x10x20	3mm 4mm 6mm 8mm 10mm	3mm 6mm	6x10

Drying grains

corn grains

MG 4	MG 8	MG 16	MG 20	MG 30	MG 40	MG 60

Polishing grains

nut grains

FG 4	FG 8	FG 16	FG 20
------	------	-------	-------

walnut grains

CG 4	CG 8	CG 16	CG 20
------	------	-------	-------

Surface finishing compounds

▣ VIBRO-GC deburring compound

It is intended for use of deburring, degreasing, and oxide removing for the items made of iron, steel, stainless, aluminium, zamak, brass, copper etc. along with the media such as ceramic, plastic, ureic, porcelain, and steel ball in all vibratory and centrifugal machines. The recommended mixing with water ratio is 1 – 5 %. It is a dark yellow colour and clear liquid, its pH is 9.7, and its specific density is 1.019 g/cm³. It contains organic acid salts, non-ionic surface-active agents, and corrosion inhibitors. It is a water-soluble and environment-friendly product.

▣ VIBRO-GCS super deburring and polishing compound

It is intended for use of deburring, degreasing, and oxide removing for the items made of iron, steel, stainless, aluminium, zamak, brass, copper etc. along with the media such as ceramic, plastic, ureic, porcelain, and steel ball in all vibratory and centrifugal machines. The recommended mixing with water ratio is 1 – 5 %. It is a dark yellow colour and clear liquid, its pH is 8.50 – 9.50, and its specific density is 1000 – 1040 g/cm³. It contains organic acid salts, non-ionic and corrosion inhibitors. It is a water-soluble and environment-friendly product.

▣ VIBRO-GA oxide removing and polishing compound

It is intended for use of polishing and oxide removing for the items made of iron, steel, stainless, aluminium, zamak, brass, copper etc. along with the media such as transparent plastic and porcelain polishing chips in all vibratory and centrifugal machines. The recommended mixing with water ratio is 1 – 5 %. It is a green colour and clear liquid, its pH is 8.6, and its specific density is 0.99 g/cm³. It contains non-ionic surface-active agents and corrosion inhibitors. It is a water-soluble and environment-friendly product. It does not have foaming property and it is an anti-foaming agent.

▣ VIBRO-GP polishing compound

It is intended for use of polishing and oxide removing for the items made of iron, steel, stainless, aluminium, zamak, brass, copper etc. along with the media such as transparent plastic and porcelain polishing chips in all vibratory and centrifugal machines. The recommended mixing with water ratio is 1 – 5 %. It is a yellow colour and clear liquid and its pH is 8.93 and its specific density is 1.010 g/cm³. It contains non-ionic surface-active agents and corrosion inhibitors. It is a water-soluble and environment-friendly product. It has light foaming property.

▣ VIBRO-GYP degreasing and rust removing compound

It is intended for use of degreasing, rust removing, and oxide removing for the items made of iron, steel, stainless, aluminium, zamak, brass, copper etc. along with the media such as ceramic, plastic, ureic, porcelain, and steel ball in all vibratory and centrifugal machines. The recommended mixing with water ratio is 1 – 5 %. It is a colourless and clear liquid containing anionic surface-active agent and acid, its pH is 1.68, and its specific density is 1.306 g/cm³. It is a water-soluble and environment-friendly product. It has light foaming property.

▣ VIBRO-GT degreasing and neutralization powder

It is intended for use of degreasing and neutralizing for the items made of iron, steel, stainless, aluminium, zamak, brass, copper etc. along with the media such as ceramic, plastic, ureic, porcelain, and steel ball in all vibratory and centrifugal machines. It is a white colour powder containing high alkali, silicate, and surface-active agents. It is a water-soluble and environment-friendly product. It has light foaming property.

▣ VIBRO-GJEL paste

It is intended for use of degreasing and deburring for the items made of aluminium, zamak, brass and copper.

▣ VIBRO-GZC zamak polishing compound

It is intended for use of degreasing, deburring, and polishing for the items made of zamak along with the media such as plastic, ceramic, ureic, porcelain, and steel ball in all vibratory and centrifugal machines. The recommended mixing with water ratio is 1 – 5 %. It is light blurred and yellowish colour, its pH is 7.45, and its specific density is 1.0160 g/cc.

▣ VIBRO-GNC polishing compound

It is intended for use of degreasing, deburring, and polishing for the items made of aluminium, brass, copper etc. along with the media such as plastic, ceramic, ureic, porcelain, and steel ball in all vibratory and centrifugal machines. The recommended mixing with water ratio is 1 – 5 %. It is a clear and yellowish colour liquid, its pH is 2.51, and its specific density is 1.029 g/cc.

▣ CLEANOX-GST stainless cleaning compound

It is intended for the use of degreasing with immersion method in a static environment and cleaning of weld and borax residues arising from welding for the items made of stainless, brass, and copper before performing and operation in vibratory and centrifugal machines. The recommended mixing with water ratio is 1 – 20 %. It is clear and colourless liquid, its pH is 1.18, and its specific density is 1.158 g/cc.

▣ VIBRO-GAC aluminium polishing compound

It is intended for use of degreasing, deburring, and polishing for the items made of aluminium with very low silica before natural and coloured anodic coating along with the media such as plastic, ceramic, ureic, porcelain, and steel ball in all vibratory and centrifugal machines. The recommended mixing with water ratio is 1 – 5 %. It is a light viscous and white colour liquid, its pH is 2.25, and its specific density is 1.078 g/cc.

TYPE	VIBRO-GC	VIBRO-GCS	VIBRO-GA	VIBRO-GP	VIBRO-GYP	VIBRO-GT	VIBRO-GJEL	VIBRO-GZC	VIBRO-GNC	CLEANOX-GST	VIBRO-GAC
USING AREA	It is the deburring compound with high properties of degreasing and protection against corrosion.	It is the deburring compound with high properties of degreasing and protection against corrosion.	It is the oxide removing and antique finishing compound.	It is the polishing compound for general purposes.	It is the degreasing and rust removing acidic compound.	It is the degreasing and neutralizing alkali powder.	It is the degreasing and deburring paste.	It is the degreasing and polishing compound for zamak.	It is the degreasing and polishing compound.	It is the cleaning compound for stainless, weld and scale.	It is the polishing compound for aluminium before anodic coating.
(% 1-20 C) pH value	9.7	8.5	8.6	8.93	1.68	12.84	9.73	7.45	2.51	1.18	2.25
material											
iron / steel	▣	▣	▣	▣	▣	▣	▣				
cooper / brass			▣	▣	▣		▣				
aluminium	▣	▣	▣	▣		▣	▣				
aluminium without silicon						▣	▣		▣		▣
zinc		▣		▣	▣	▣			▣		
stainless steel		▣		▣	▣		▣		▣	▣	
zamak		▣	▣	▣			▣	▣			
treatment											
deburring	▣	▣					▣				
radiusing	▣	▣									
oil cleaning		▣			▣	▣	▣	▣	▣	▣	▣
rust cleaning					▣	▣					
descaling					▣	▣				▣	
polishing		▣	▣	▣	▣		▣	▣	▣		▣
corrosion protect	▣	▣	▣	▣							
antique			▣	▣	▣						