



AA Series

Manual Air-Assist spray guns designed for exceptional spray quality and ease of use



PROVEN QUALITY. LEADING TECHNOLOGY.

Exceptional Spray Quality

AA SERIES SPRAY GUNS

Operator-Friendly Design

Designed to maximize efficiency and quality, while reducing operator fatigue, AA Series guns use the highest quality components for long lasting reliable performance.

Most importantly, the AA Series guns give the sprayer the ability to significantly vary the spray pattern without changing the tip.

AA Series Guns are designed for:

- High quality air-assisted spraying in a variety of applications
- Maximizing operator comfort and productivity
- Reducing overall cost of ownership
- Improving transfer efficiency and material usage
- Versatile spraying of all shape and sizes

Different Applications Need Different Guns

Try these AA Series models:



G15 – The 105 bar model is for the wood industry and other low and medium pressure applications



G40 – The 280 bar model is for high pressure industrial applications



Key Materials

- Solvent or water-based materials
- Varnishes
- Lacquers
- Polyurethanes
- Two components
- High Solids
- Stains
- UV-Curing

Key Industries

- Wood and furniture
- General metal
- Farm and construction
- Truck and bus
- Aerospace
- Electronics



AA Series

Spray Quality

Achieve a Superior Finish

- Enhanced tip design creates uniform atomization for a superior finish quality
- The unique aircap enables soft spray
- Increased transfer efficiency resulting from a design that allows for lower fluid and air pressure
- Adjustable fan pattern means less overspray, less material waste, less VOC's, and improved productivity

Ergonomics

Maximize productivity

- Overall weight is lighter than other spray guns in its category by more than 20%
- Trigger pull force is up to 40% less than the closest competitor – reducing operator fatigue and muscle stress
- Handle design fits any size hand for increased operator comfort

Cost of Ownership

Save time and money

- Ease of assembly and disassembly reduces repair time
- Designed to minimize wear of replacement parts
- Fewer parts means an overall lower cost of repair



Designed with the User in Mind

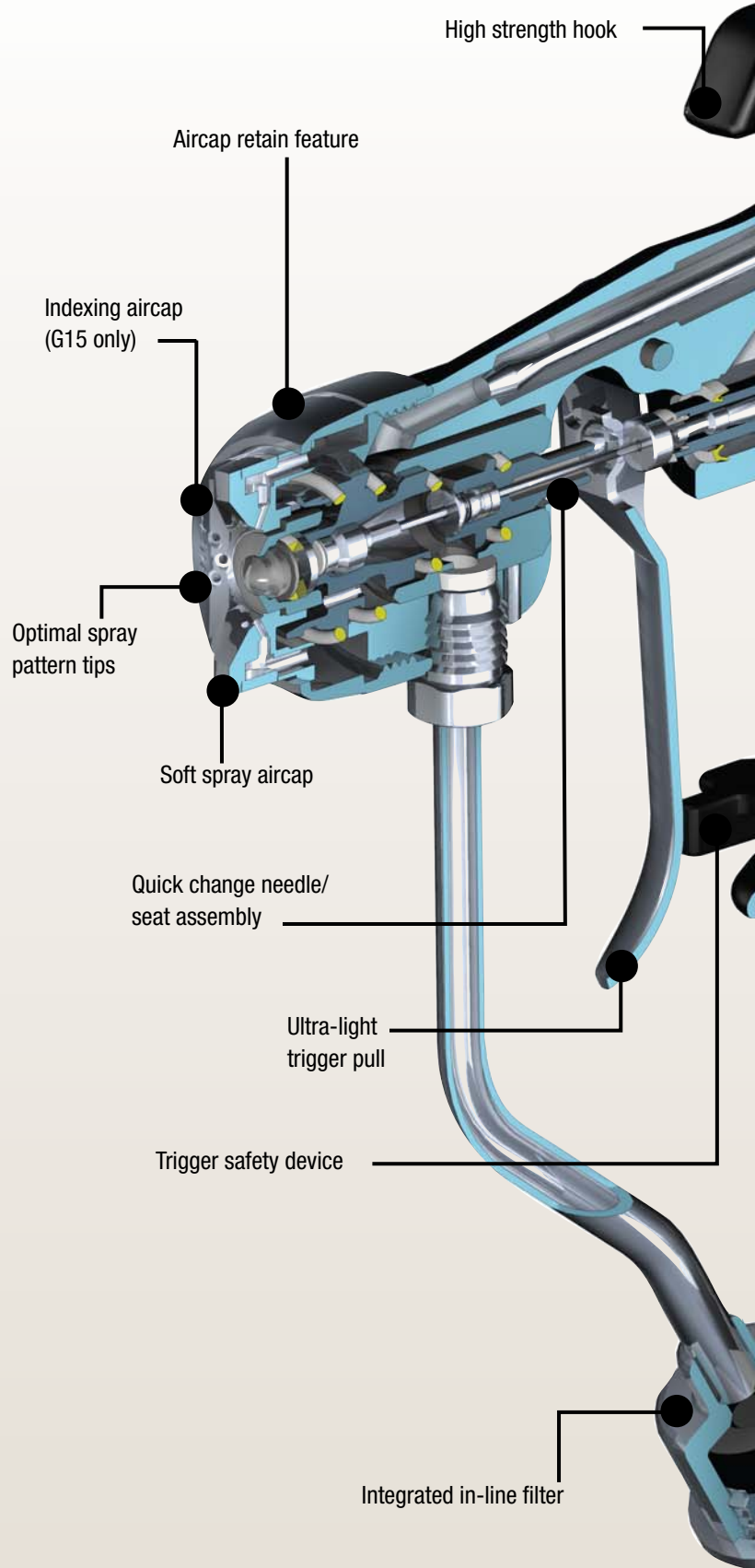
Quick, Accurate Positioning!

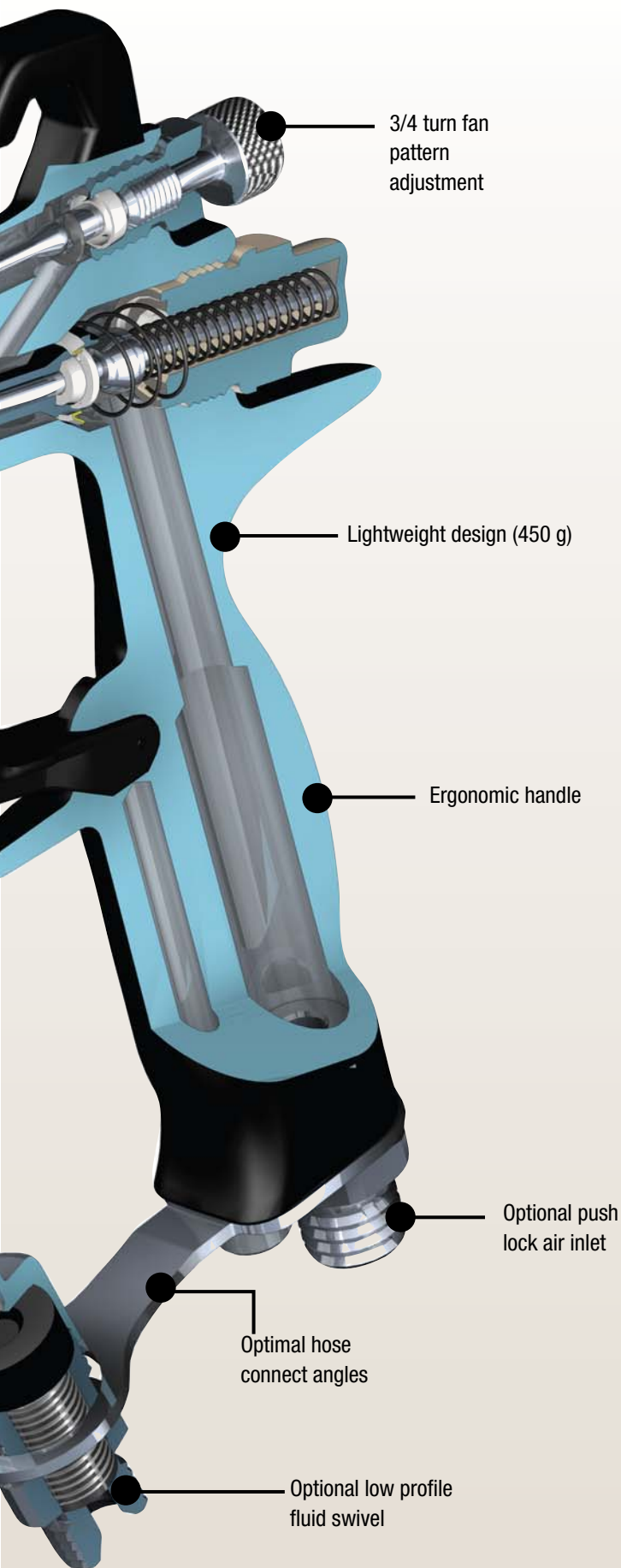
The G15 indexing aircap provides fast and accurate positioning in either the vertical or horizontal position.



Improve Operator Comfort!

The ultra-light trigger pull force and lightweight design reduces muscle stress and increases operator productivity.





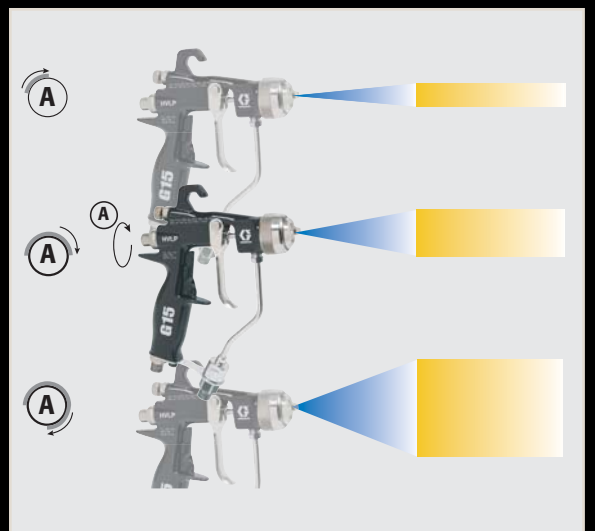
Increase Spray Performance!

Enhanced tip design provides uniform atomization and improved finish quality.



Reduce Overspray and Increase Productivity!

3/4 turn fan pattern adjustment allows the operator to change the spray width according to the size of parts.



Ordering Information

The **G15 acetal seat model** is recommended for acid-catalyzed materials and low viscosity lacquers and stains.

The **G15 carbide model** is recommended for pigmented, waterborne and higher viscosity materials.

The **G40 model** is recommended for high viscosity materials above 105 bars.

- 288844 G15 Gun
Medium pressure gun includes a plastic seat and indexing aircap (249596) and choice of AAM spray tip from below chart, which is specified when order is placed.
- 287926 G15 Carbide Gun
Medium pressure gun includes carbide seat/ball, indexing aircap and choice of AAM spray tip from below chart, which is specified when order is placed.
- 249242 G40 Gun
High pressure gun includes a carbide seat and tip guard aircap (249180) and choice of AAM or GG4 spray tip from below chart, which is specified when order is placed.
- 249238 G40 Reverse-A-Clean (RAC) Spray Gun
High pressure gun with a RAC spray tip to reduce downtime caused by frequent tip clogging. Includes a carbide seat, tip guard aircap (249478), and a choice of LTX spray tip.
- 249246 G40 Hi-Flow Gun
High pressure gun with no restrictions to avoid pressure drop with heavy viscosity materials. Includes a carbide seat, tip guard and a choice of AAM or GG4 spray tip.



Spray Tip Selection Chart

Fine Finish Spray Tips

Recommended for *high finish quality* applications at *low and medium pressure*. Order desired tip (part no. AAMxxx) from matrix below.

Industrial Spray Tips

Recommended for *high pressure* applications. Order desired tip (part no. GG4xxx) from matrix below.

- All tips in the Spray Tip Selection Chart can be used with Model G40 guns (249242). Use tips in the gray shaded area of the chart with Model G40 guns only.
- Do not use tips in the gray shaded area of the chart with Model G15 guns (288844 or 287926).

Orifice Size mm (in)	*Fluid Output, fl lpm (oz/min)		Maximum Pattern Width at 300 mm (12 in)								
	41 bar (4.1 MPa, at 600 psi)	70 bar (7.0 MPa, at 1000 psi)	100 to 150 (2 to 4)	150 to 200 (4 to 6)	200 to 250 (6 to 8)	250 to 300 (8 to 10)	300 to 350 (10 to 12)	350 to 400 (12 to 14)	400 to 450 (14 to 16)	450 to 500 (16 to 18)	500 to 550 (18 to 20)
† 0.178 (0.007)	0.1 (4.0)	0.15 (5.2)	◆107	207	307						
† 0.229 (0.009)	0.2 (7.0)	0.27 (9.1)	109	209	309	409	509				
† 0.279 (0.011)	0.3 (10.0)	0.4 (13.0)	111	211	311	411	511	611			
0.330 (0.013)	0.4 (13.0)	0.5 (16.9)		213	313	413	513	613	713		
0.381 (0.015)	0.5 (17.0)	0.7 (22.0)		215	315	415	515	615	715	815	
0.432 (0.017)	0.7 (22.0)	0.85 (28.5)		217	317	417	517	617	717	817	917
0.483 (0.019)	0.8 (28.0)	1.09 (36.3)		219	319	419	519	619	719	819	919
0.533 (0.021)	1.0 (35.0)	1.36 (45.4)			321	421	521	621	721	821	921
‡ 0.584 (0.023)	1.2 (40.0)	1.56 (51.9)				423	523	623	723		923
‡ 0.635 (0.025)	1.5 (50.0)	1.94 (64.8)				425		625	725	825	
‡ 0.686 (0.027)	1.7 (58.5)	2.27 (75.8)					527	627		827	
‡ 0.737 (0.029)	1.9 (68.0)	2.65 (88.2)						629			
‡ 0.787 (0.031)	2.2 (78.0)	3.03 (101.1)				431		631			
‡ 0.838 (0.033)	2.5 (88.0)	3.42 (114.1)						633		◆833	
‡ 0.889 (0.035)	2.8 (98.0)	3.81 (127.1)				435					
‡ 0.940 (0.037)	3.1 (108.0)	4.20 (140.0)							737		
‡ 0.991 (0.039)	3.4 (118.0)	4.59 (153.0)					539	639		839	

† These tip sizes include a 150 mesh tip filter

‡ Do not use these tips with Model G15 guns (288844 and 287926)

◆ GG4 tips only

Technical Specifications

Maximum Working Fluid Pressure	Model G15: 105 bar (10 MPa, 1500 psi) Model G40: 280 bar (28 MPa, 4000 psi)
Maximum Working Air Pressure	7 bar (0.7 MPa, 100 psi)
Maximum Working Fluid Temperature	43° C (110° F)
Fluid Inlet	1/4-18 npsm*
Air Inlet	1/4-18 npsm (R1/4-19) compound male thread**
Gun Weight	450 gram (16 oz)
Sound Pressure at 1.4 bar (140 kPa, 20 psi)	66.9 dB(A)
Sound Pressure at 7 bar (0.7 kPa, 100 psi)	80.0 dB(A)
Gun Body	Forged Aluminum
Fluid Filter	100 mesh
Trigger Pull	
G15	0.95 kg (2.1 lb)
G40	1,77 kg (3.9 lb)
Wetted Parts	Stainless Steel, Carbide, Ultra High Molecular Weight Polyethylene, Acetal, PTFE, nylon
Instruction Manual	311001

* Optional swivel fitting available

** Optional quick-disconnect available

Accessories

224453 100 Mesh Fluid Filter Kit 100 mesh (.005 gap spacing) replacement fluid filters. Quantity of 5.	15G093 G15 Gun Flush Box Insert Insert for use with Gun Flush Box 244105 and AA Series G15 Spray Guns.
238563 60 Mesh Fluid Filter Kit 60 mesh (.009 gap spacing) replacement fluid filters for coarser particle filtering to replace standard 100 mesh filters. Quantity of 3.	15G346 G40 Gun Flush Box Insert Insert for use with Gun Flush Box 244105 and AA Series G40 Spray Guns.
241804 Tip Filter Kit Replacement filters for spray tip orifice sizes 0.007, 0.009, and 0.011". Quantity of 10.	249140 HVLV Verification Kit Use to check air cap air pressure at various air supply air pressures. Do not use for actual spraying.
115898 Fluid Swivel Connector 400 bar (40 MPa, 5800 psi) Maximum Working Pressure Connector to ease movement of the gun and fluid hose. 1/4-18 npsm. 17-4 PH SST wetted parts. Optional swivel fitting available.	249598 Unclogging Needle Kit Kit includes picks for unclogging gun tip.
238694 High Pressure Fluid Ball Valve 350 bar (35 MPa, 5000 psi) Maximum Working Pressure 3/8 npt(mbe). SST wetted parts, PEEK seats, PTFE seals. Compatible with acid-catalyzed materials. Can be used as fluid drain valve.	101892 Gun Brush Use to clean the gun.
241812 Fluid Hose 242 bar (24 MPa, 3500 psi) Maximum Working Pressure 1/4-18 npsm(fbe), 5 mm (3/16 in.) ID, 7.62 m (25 ft) long, nylon tubing with polyurethane cover.	15C161 Ultimate Gun Cleaning Kit Kit includes brushes and tools for gun maintenance.
249473 Air Fitting and Tubing Kit Alternative-style connector for air inlet and hose. 3/8 in. to 1/4 Push-To-Lock fitting, 7.62 m (25 ft) long, nylon tubing. Optional quick disconnect available.	111265 Gun Lubricant One 113 g (4 oz.) tube sanitary (non-silicone) lubricant for fluid seals and wear areas.
241811 Air Hose 7 bar (0.7 MPa, 100 psi) Maximum Working Pressure 1/4-18 npsm(fbe), 6 mm (1/4 in.) ID, 7.62 m (25 ft) long polyurethane tubing.	249424 G15 Seat Repair Kit (Acetal) Kit includes replacement, acetal seat (pack of 10), and seat nut for Model G15 gun.
	249456 G40 Seat Repair Kit (Carbide) Kit includes carbide seat, seat nut and seat gasket for Model G40 gun.
	249422 Seal Repair Kit Kit includes replacement o-rings, gasket, u-cup, air valve assembly, and seal installation tool.
	253032 Aircap Seal Kit Pack of 5 seals and 5 o-rings for the aircap assembly.